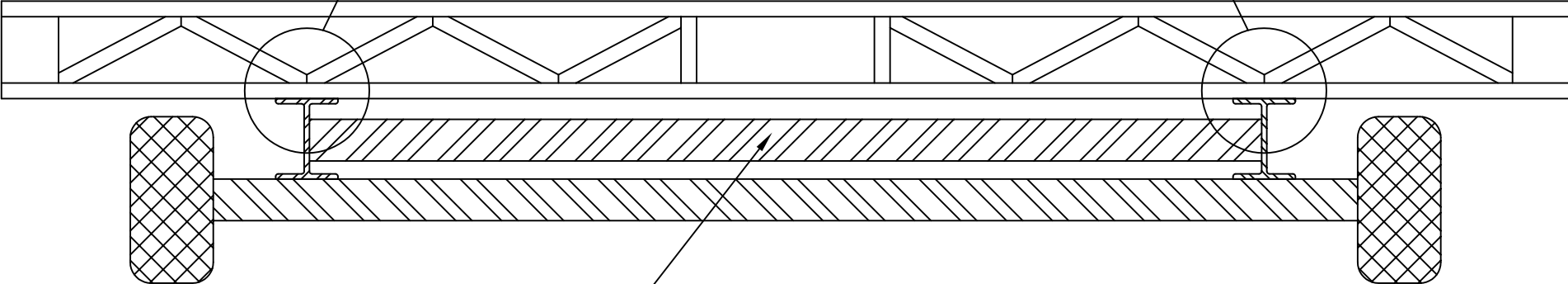


**Truss Panel Points Positioned
Over Rails of Temporary
Module Transport**



**Temporary Module
Transport**